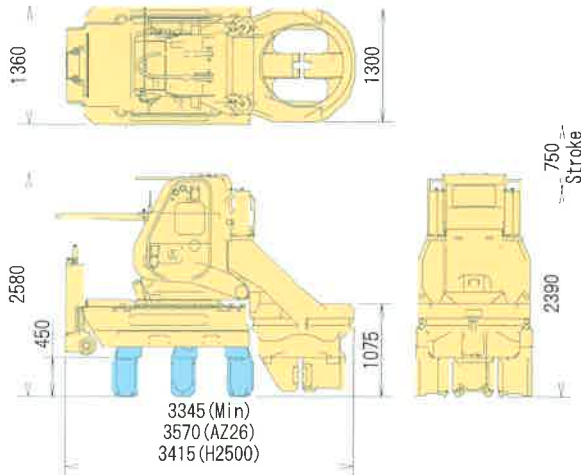


ZU-100

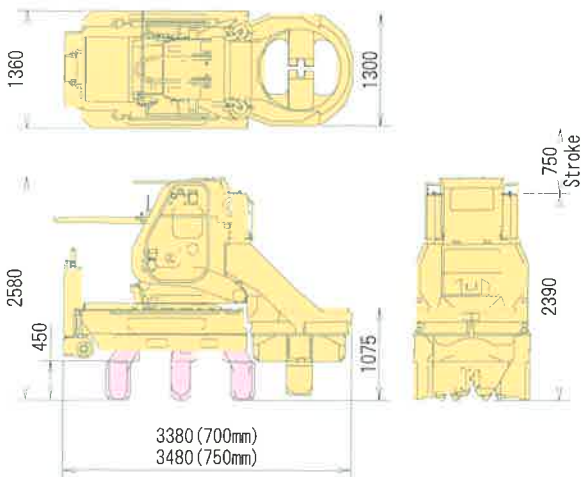
Still Worker ZU-100 can Press-in both Z Piles and U Piles simply by exchanging the clamps.
Z pile range: 575mm to 700mm.
U pile range: 700mm to 750mm.



■ STILL WORKER ZU-100 (Z Profile)



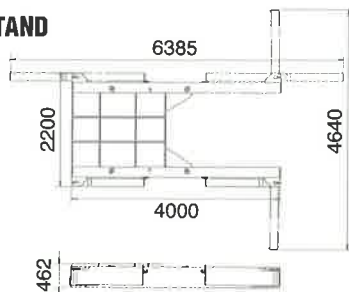
■ STILL WORKER ZU-100 (U Profile)



■ HYDRAULIC POWER UNIT (TE-200)



■ REACTION STAND



Specification

STILL WORKER	ZU-100
MAX. Pressing-in Force	1,000kN
MAX. Drawing-out Force	1,100kN
Stroke	750mm
Pressing-in Speed	3.0-36.0 m/min
Drawing-out Speed	2.4-28.0 m/min
Tilting Device	± 5 degrees
Mast Rotation	180 degrees
Applicable sheet piles	Z Profile AZ12 to 50, AZ17-700 to 40-700, H1105 to H3806 U Profile L703 to 755, AU14 to 26
Operation System	Wireless radio-control and Cable remote-control
Moving System	Self-moving
Greases	Biodegradable Greases
Weight	12,000kg

HYDRAULIC POWER UNIT	TE-200
Power	Diesel Engine 4-cycle, Water-Cooled Direct Injection Turbo
Output Rating	147.1kw/1,800min ⁻¹
Pump	Variable-Capacity Pump
Pressure Rating	40MPa max.
Fuel Oil tank	350 Litres
Hydraulic Oil tank	550 Litres
Weight	5300kg

Reaction Stand	ZU-100
Dimension	Length 4,000mm Width 2,200mm Height 462mm
Weight	2,400kg

Specifications are subject to alteration without prior notice